



FEEDEX NF1 - HIGH PERFORMANCE LEADS TO SIGNIFICANT ENERGY AND CO₂ SAVINGS

PARAMETER:

Alloy:	AlZn10Si8Mg
Casting Weight:	72 kg
Casting Temp.:	750 °C
Poured Weight:	82 kg
Pour Time:	35 seconds
Moulding Process:	Sand casting

MACHINE SLIDER

FOUNDRY:

Marsberger Metallguss oHG (MMG)

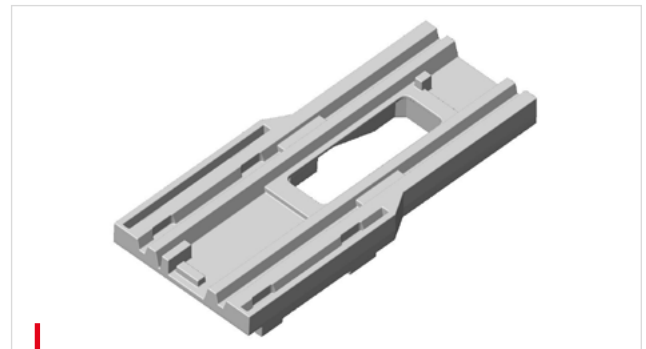
Founded in 1996, MMG is a medium sized foundry with highest technology standard, producing sophisticated products both in sand and die casting process.

FOSECO PRODUCTS

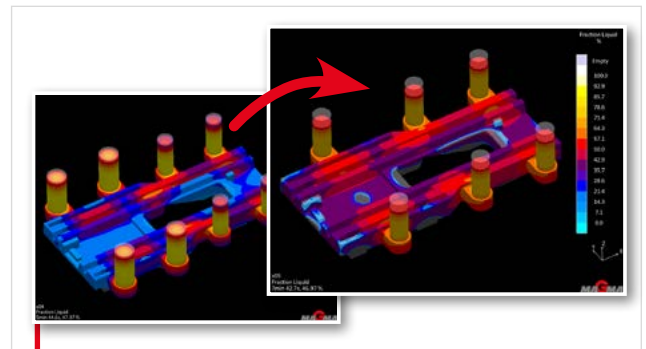
- (originally) KALMIN 50 A4 (4x) and A3 (4x)
- (originally) FEEDOL 20
- SIVEX FC 100x100 22/10
- FEEDEX NF1 N3 (6x)

KEY BENEFITS

- Improved yield
- reduced fettling costs
- reduced re-melting costs



3D view of the finished casting



Optimised Process: 8 insulating sleeves -> 6 exothermic sleeves



THE CHALLENGE

The defect-free casting of the machine slide requires a great deal of effort in the feeding area. 8 insulating feeders and the additional use of exothermic powder are necessary in order to avoid shrinkage.



OUR SOLUTION

The use of FEEDEX NF1 sleeves with increased feeding performance makes the use of exothermic powder obsolete. In addition, also the number of sleeves and their volume was reduced.



THE OUTCOME

Due to the use of FEEDEX NF1 sleeves, the number of sleeves and their volume was significantly reduced. A saving of 9 kg of Aluminium was achieved. This leads to lower fettling effort and less recycling material. The energy- and therefore CO₂ savings due to less remelting material is remarkable.

COMMENT: Editorial policy is to highlight the latest Foseco products and technical developments. However, because of their newness, some developments may not be immediately available in your area. Your local sales organisation will be pleased to advise. No part of this publication may be reproduced, stored in a retrieval system of any nature or transmitted in any form or by any means, including photocopying and recording, without the written permission of the copyright holder. © Foseco International Ltd., 2019 *FOSECO, FEEDEX, KALMIN, FEEDOL and SIVEX are trade marks of the Vesuvius Group, registered in certain countries, used under licence.